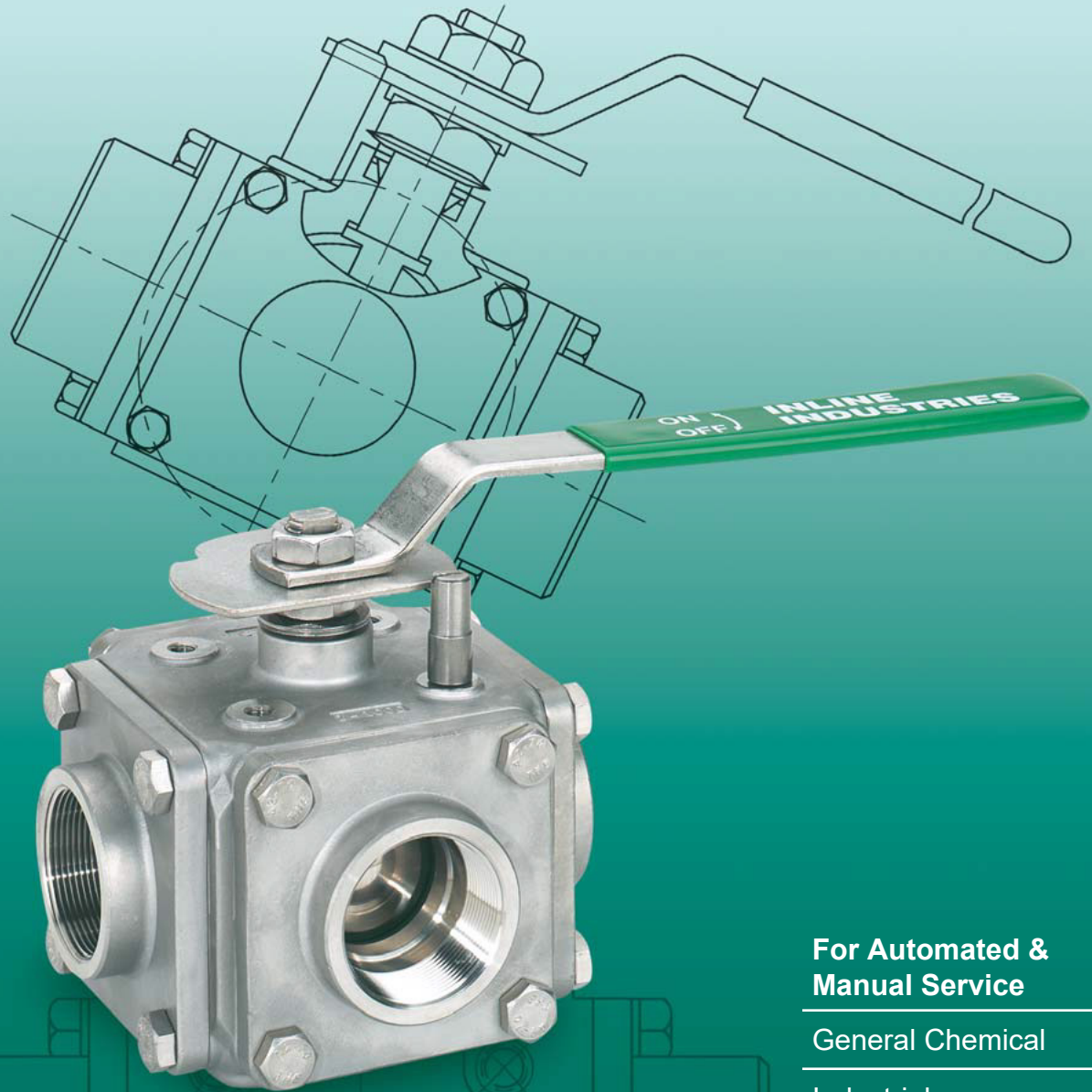


505F Multi-Port Ball Valve

Full Port
ISO 5211 Mounting Pad



For Automated &
Manual Service

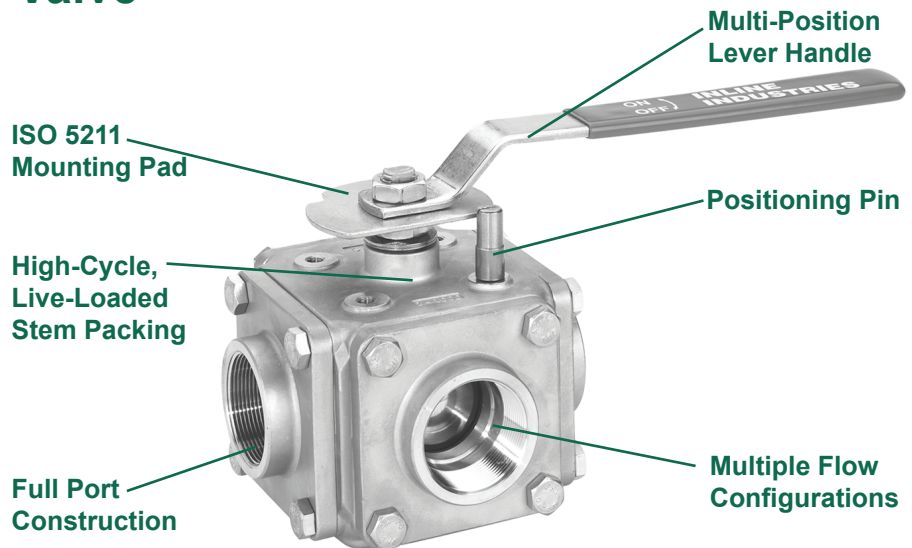
General Chemical

Industrial

Corrosion Resistant
Applications

The 505F Series Ball Valve

The 505F is a true multi-way stainless steel ball valve with balanced four seat construction. This full port valve is available in a variety of flow plans, which can replace multiple two-way valves in a process system. The standard configuration has an ISO 5211 pattern mounting pad allows for easy assembly of most pneumatic and electric actuators.

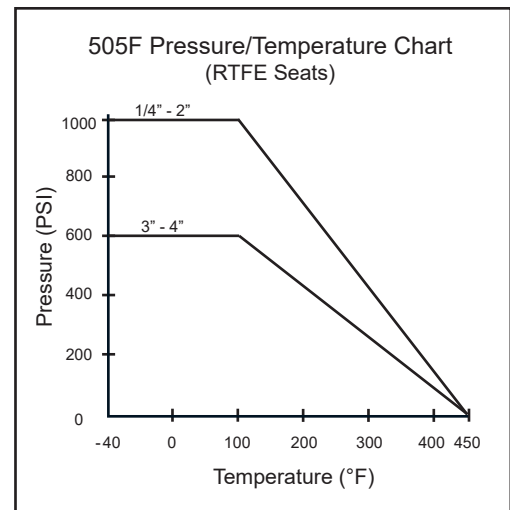


Standard Features and Benefits

- **Balanced 4-Seat or 5-Seat Construction**
Unlike two-seated diverter valves, the 505F series has four seats (five seats in bottom entry valves) for positive shut-off in the closed position. This true multiport function can reduce the number of valves required in a process system and gives engineers greater design flexibility
- **Trunnion Mounted Ball (1 1/2" - 4")**
Lateral forces in a 3-way valve can cause unwanted seat distortion. Stem/ball isolation prevents side-loading and wear of downstream seats, improving performance and service life
- **ISO 5211 Mounting Pad For Easy Actuation**
- **High-Cycle, Live-Loaded Stem Packing**
Dynamic loading on stem packing ensures a tight seal through varying pressure and temperature conditions, extending service life and reducing maintenance costs
- **O-Ring Stem Bearing (3" and 4")**
Maintains stem alignment
Reduces packing side-loading and wear
Enhances stem seal performance
- **Blow-Out-Proof Stem**
Stem is bottom loaded to prevent removal when valve is in service
- **Full Port Design**
Full port construction improves flow characteristics for greater process efficiencies
- **Multi-Position Lever Handle**
The lever handle can be positioned in four different orientations for greater piping flexibility

Options

- **4 or 5-Way Construction With Multiple Flow Patterns**
- **Multiple End Connections Available**
- **Material Test Reports Available Upon Request**



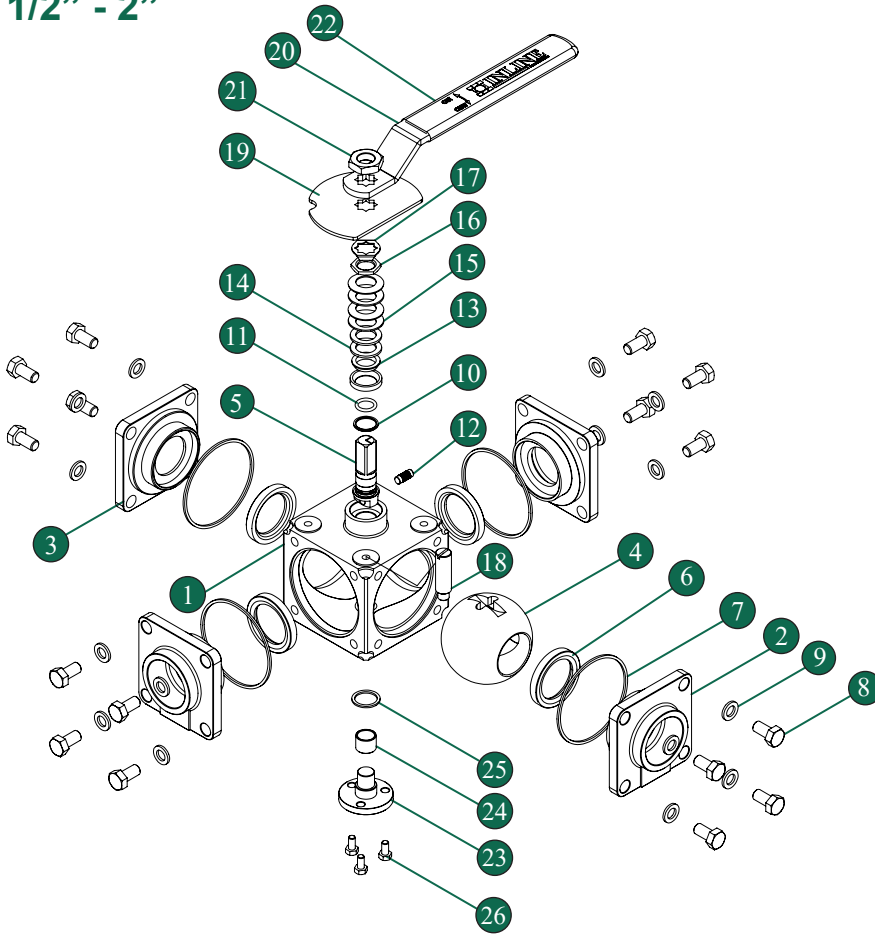
Operating Conditions

- Temperature range (RTFE):
-40°F ~ 450°F
- Maximum pressure (RTFE):
1000 PSI CWP (1/4" - 2")
600 PSI CWP (3" - 4")

Specifications

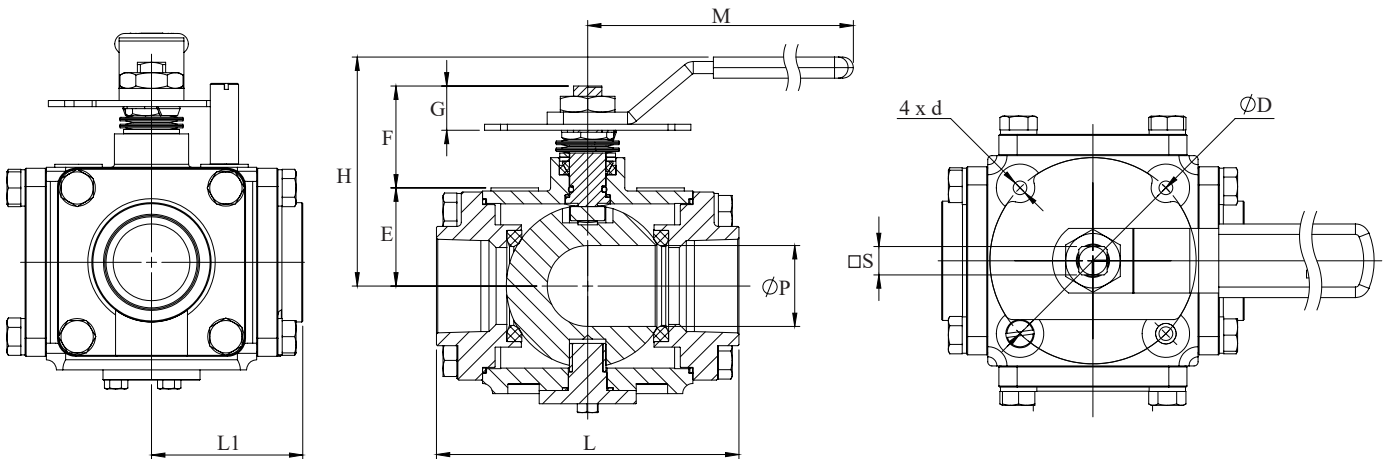
- All valves shell and seat tested to ANSI/ASME B16.34 and API 598
- All materials comply with applicable ASTM material specifications
- End connections:
All to ASME B16.34
NPT to ASME B1.20.1
Socket Weld to ASME B16.11
Butt Weld to ASME B16.25

1/2" - 2"



Valve Components			
No.	Part Name	Material	Qty
1	Body	CF8M	1
2	End Cap	CF8M	3
3	End Cap (Blind)	CF8M	1
4	Ball	316 SS	1
5	Stem	316 SS	1
6	Seat	RTFE (15% C.F.)	4
7	Body Seal	PTFE	4
8	Body Bolt	304 SS	16
9	Body Bolt Washer	304 SS	16
10	Thrust Washer	PEEK	1
11	Stem O-Ring	VITON 75	1
12	Stem Set Pin	316 SS	1
13	Stem Packing Set	PTFE	1
14	Packing Gland	304 SS	2
15	Belleville Washer	301 SS	4
16	Gland Nut	304SS	1
17	Gland Nut Lock Washer	304SS	1
18	Stop Pin	304SS	1
19	Stop Plate	304SS	1
20	Handle	304SS	1
21	Handle Nut	304SS	1
22	Handle Cover	Vinyl	1
23	Trunnion*	316 SS	1
24	Trunnion Bearing*	PEEK	1
25	Trunnion Gasket*	PTFE	1
26	Trunnion Bolt*	304 SS	3

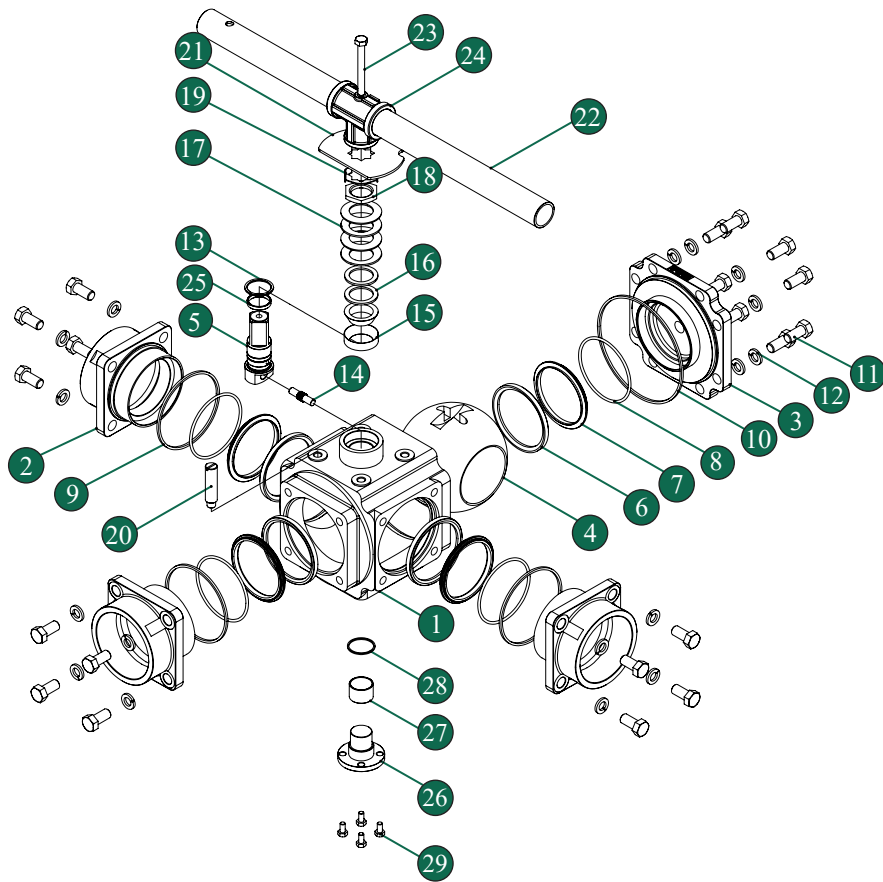
*1 1/2" and 2" Only



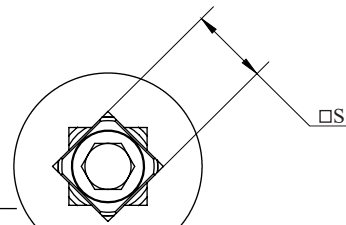
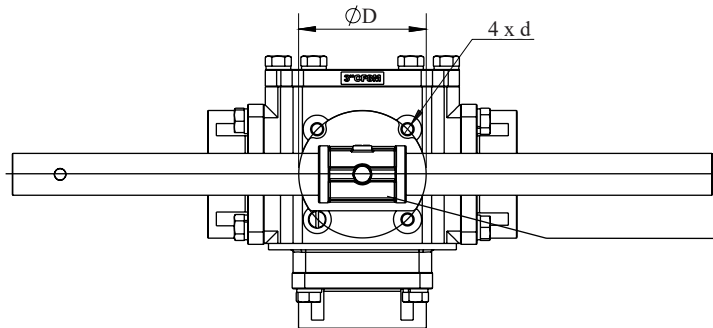
Dimensions (Inches)														
Size	L	L1	P	M	H	E	F	G	D	d (mm)	S	ISO 5211	Cv	Weight (lbs)
1/4"	3.40	1.70	0.43	5.8	2.4	0.93	0.91	0.44	1.97	M6 x 1.00 ±5	0.35	F05	3.3	3.2
3/8"	3.40	1.70	0.43	5.8	2.4	0.93	0.91	0.44	1.97	M6 x 1.00 ±5	0.35	F05	4.5	3.2
1/2"	4.06	2.03	0.59	5.8	2.6	1.12	0.93	0.50	1.97	M6 x 1.00 ±6	0.35	F05	7.9	5.1
3/4"	4.24	2.12	0.79	6.6	3.0	1.22	1.17	0.55	1.97	M6 x 1.00 ±6	0.43	F05	14.3	6.2
1"	4.76	2.38	0.98	7.7	3.6	1.42	1.46	0.64	2.76	M8 x 1.25 ±7	0.43	F07	22.8	8.8
1 1/4"	5.20	2.60	1.26	9.9	4.1	1.57	1.96	0.86	2.76	M8 x 1.25 ±8	0.55	F07	37.5	12.5
1 1/2"	5.89	2.94	1.57	9.9	4.5	1.91	1.98	0.86	4.02	M10 x 1.50 ±9	0.55	F10	56.8	20.5
2"	7.30	3.65	1.97	12.3	5.3	2.34	2.14	0.84	4.02	M10 x 1.50 ±9	0.67	F10	96.1	34.4

*Cv value represents flow data to ISA 75.01.01 - 2007 based on 505F Side Entry with L-Port Flow Configuration

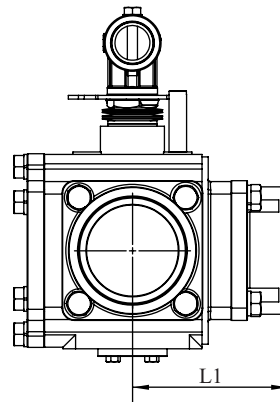
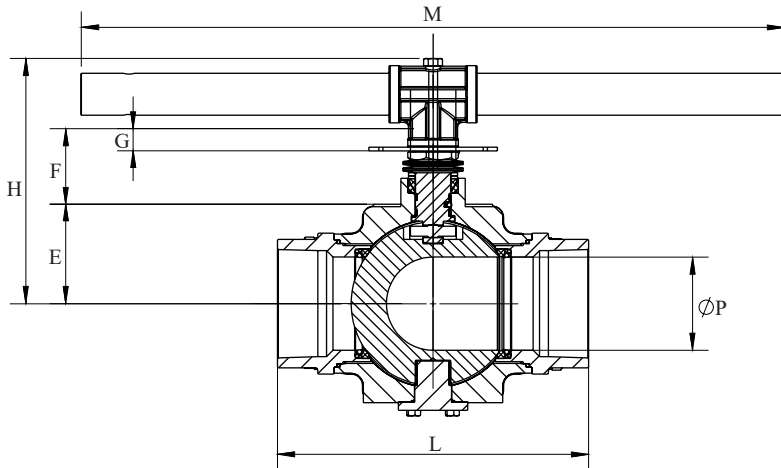
3" - 4"



Valve Components			
No.	Part Name	Material	Qty
1	Body	CF8M	1
2	End Cap	CF8M	3
3	End Cap (Blind)	CF8M	1
4	Ball	316 SS	1
5	Stem	316 SS	1
6	Seat	RTFE (15% C.F.)	4
7	Seat Housing	316 SS	4
8	Seat Housing O-Ring	VITON	4
9	Body Seal	PTFE	3
10	Body Seal (Large)	PTFE	1
11	Body Bolt	304 SS	20
12	Body Bolt Washer	304 SS	20
13	Thrust Washer	PEEK	1
14	Stem Set Pin	316 SS	1
15	Stem Packing Set	PTFE	1
16	Packing Gland	304 SS	2
17	Belleville Washer	301 SS	4
18	Gland Nut	304 SS	1
19	Gland Nut Lock Washer	304 SS	1
20	Stop Pin	304 SS	1
21	Stop Plate	304 SS	1
22	Pipe Handle	304 SS	1
23	Handle Bolt	304 SS	1
24	Handle Drive Coupling	304 SS	1
25	Stem Bearing	PEEK	2
26	Trunnion	316 SS	1
27	Trunnion Bearing	PEEK	1
28	Trunnion Gasket	PTFE	1
29	Trunnion Bolt	304 SS	4



Stem View



Dimensions (Inches)															
Size	L	L1	P	M	H	E	F	G	D	d (mm)	S	ISO 5211	Cv	Weight (lbs)	
3"	9.72	4.86	2.91	22.0	7.7	3.11	2.36	0.70	4.02	M10 x 1.50 ↴ 10	0.87	F10	213.0	54.3	
4"	11.68	5.84	3.78	32.0	8.4	3.88	2.30	0.70	4.02	M10 x 1.50 ↴ 10	0.87	F10	372.0	89.2	

*Weights based on NPT Ends

*Cv value represents flow data to ISA 75.01.01 - 2007 based on 505F with L-Port Flow Configuration

Flow Pattern Options

3 Way - Side Entry T-Port (5T)

No.	Turn	Positions
01	90°	A & B
02	90°	B & C
03	90°	C & D
04	90°	D & A
12	180°	A & B & C
23	180°	B & C & D
34	180°	C & D & A
41	180°	D & A & B
00	360°	All

3 Way - Side Entry L-Port (5L)

No.	Turn	Positions
01	90°	A & B

3 Way - Bottom Entry 180° L-Port (3A)

No.	Turn	Positions
01	90°	A & B
02	90°	B & C
12	180°	A & B & C

3 Way - Bottom Entry 90° Angle Port (4A)

No.	Turn	Positions
01	90°	A & B

4 Way - Bottom Entry L-Port (6A)

No.	Turn	Positions
01	90°	A & B
02	90°	B & C
12	180°	A & B & C
00	360°	All

4 Way - Side Entry Double L-Port (7D)

No.	Turn	Positions
01	90°	A & B
00	360°	All

4 Way - Bottom Entry Double L-Port (6Y)

No.	Turn	Positions
01	90°	A & B

5 Way - Bottom Entry Angle Port (8A)

No.	Turn	Positions
01	90°	A & B
00	360°	All

3 Way - Bottom Entry 180° T-Port (3B)

No.	Turn	Positions
01	90°	A & B

3 Way - Bottom Entry 180° Double L-Port (3Y)

No.	Turn	Positions
01	90°	A & B



Direct Mount Products



Automation Systems

505F Ordering Information

Example: 2" Multi-Port Ball Valve with ISO 5211 Pattern Mounting Pad, Lever Handle and Positioning Pin, Full Port, 316 SS Body and Trim, RTFE (15% C.F.) Seats, PTFE Seals, NPT Ends, 3-Way Side Entry, L-Port, Flow Pattern 01*

505F	D	6	6	6	6	C	T	TT	5	L	01	
Valve Series	Valve Size	Body Material	End Material	Ball Material	Stem Material	Seat	Seal	End Connection	Port Configuration	Ball Configuration	Flow* Pattern	
505F - Full Port	5 7 A C D E F G [†]	1/2" 3/4" 1" 1 1/2" 2" 2 1/2" 3" 4"	6 - A351 Gr. CF8M (316) 3 - A351 Gr. CF3M (316L)	6 - A351 Gr. CF8M (316)	6 - 316 SS	6 - 316 SS	C - RTFE (15% C.F.) R - RTFE (15% G.F.) M - TFM T - PTFE	T - PTFE M - TFM	T - NPT S - Socket Weld 1 - Butt Weld Sch. 10 4 - Butt Weld Sch. 40 G - Grooved	3 - 3 Way 180° Bottom Entry 4 - 3 Way 90° Bottom Entry 5 - 3 Way Side Entry 6 - 4 Way Bottom Entry 7 - 4 Way Side Entry 8 - 5 Way Bottom Entry	A - Bottom Entry L-Port B - Bottom Entry T-Port D - Side Entry Double L-Port L - Side Entry L-Port T - Side Entry T-Port Y - Bottom Entry Double L-Port	01 - A & B (Standard) 00 - All 02 - B & C 03 - C & D 04 - D & A 12 - A & B & C 23 - B & C & D 34 - C & D & A 41 - D & A & B

[†]Not available in 4-way Side-Entry Double L-Port (7D)

*See Flow Pattern Options
Due to continuous product development, information may change without notice



INLINE INDUSTRIES, INC.

9056 Garvey Avenue

Rosemead, CA 91770

Tel: (800) 568-8998

(626) 813-6188

Fax: (626) 813-6186

www.ballvalve.com

info@ballvalve.com

Distributed by: